



Brad type: F16 (16 Gauge) Straight Brads
 Wire Ø: 1.53mm

Suitable for the following tools*:

Paslode 3250/65 F16Q, FN1665, FN1665.1
 FN1650.1, IM65 F16 (Lithium)
 IM250 II

haubold SKN50 L-I/16, SKN64 A/16


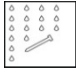

Duo-Fast LFN SS764

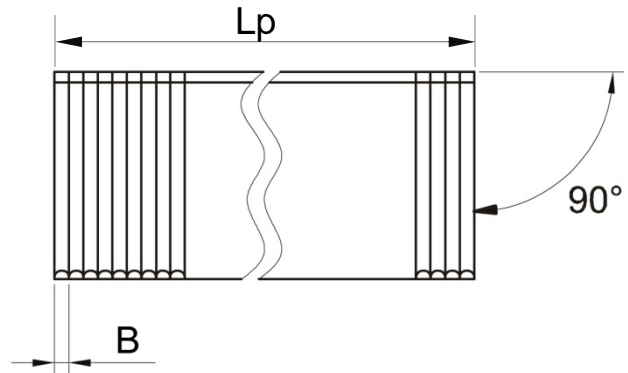
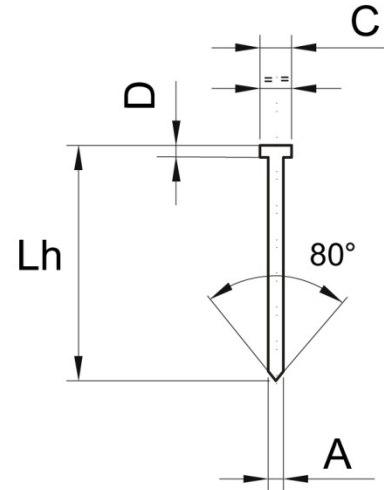
**please check staple length compatibility with each tool before use*

Brad lengths available: 15mm – 65mm

Brads per strip: 50

CORROSION PROTECTION

Finish	Usage Environment	Label Colour on Packaging
Zinc Galv 1-2µm	INDOOR 	Blue
Stainless Steel A2 AISI 304 / WNr 1.4301	INDOOR, COVERED OUTDOOR & OUTDOOR 	Yellow
Stainless Steel A4 AISI 316 / WNr 1.4401	INDOOR, COVERED OUTDOOR & OUTDOOR 	Yellow



BRAD PROPERTIES / DIMENSIONS

Tensile strength of wire: min 800 N/mm²
 Wire diameter (d): 1.53mm
 Flattened wire dimension: (A): 1.36mm
 (B): 1.63mm
 Head height (D): 1.00mm
 Head width (C): 2.80mm
 Strip length (LP): 50 brads
 Standard point: Diamond
 Standard brad lengths (Lh): 15mm – 65mm

BRAD LENGTHS AVAILABLE*

Finish	Lengths Available <small>*Other lengths on request</small>
Zinc Galv 1-2µm	15mm, 20mm, 25mm, 30mm, 32mm, 35mm, 38mm, 40mm, 45mm, 50mm, 60mm, 65mm
Stainless Steel A2 AISI 304 / WNr 1.4301	15mm, 25mm, 30mm, 32mm, 35mm, 38mm, 40mm, 50mm, 60mm
Stainless Steel A4 AISI 316 / WNr 1.4401	20mm, 25mm, 30mm, 35mm, 40mm, 50mm

Paslode is a brand of the ITW Group. ITW reserves the right to change specification without notice. All design using this data should be carried out by a qualified structural engineer, subject to relevant National and European standards or regulations.